

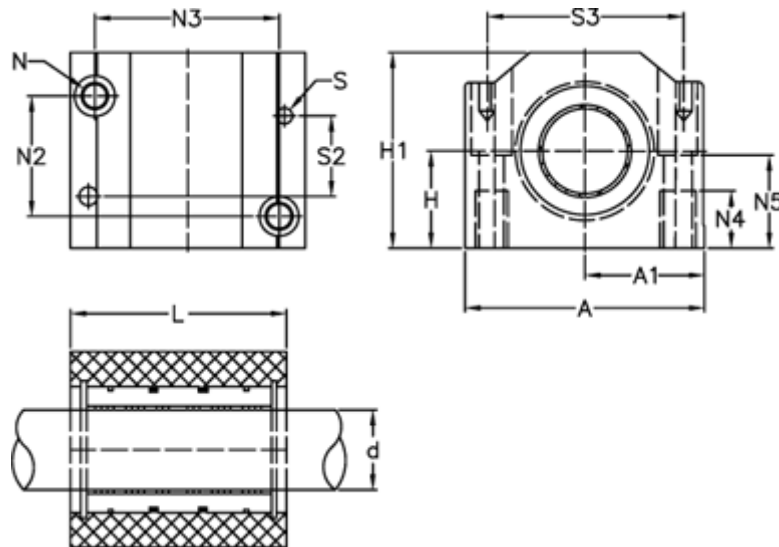
Data Sheet



Article number: 50300301

Description: Closed pillow block PMC 30
FM standard bearing included

Measures



A = 87	N4 = 22
A1 = 43.5	N5 = 34
H = 35	S = 6
H1 = 71	S2 = 30
L = 79	S3 = 72
N = M10 x 1,5	Static load (kg) = 4284
N2 = 45.15	Weight (kg) = 1.02
N3 = 68.150000000000006	